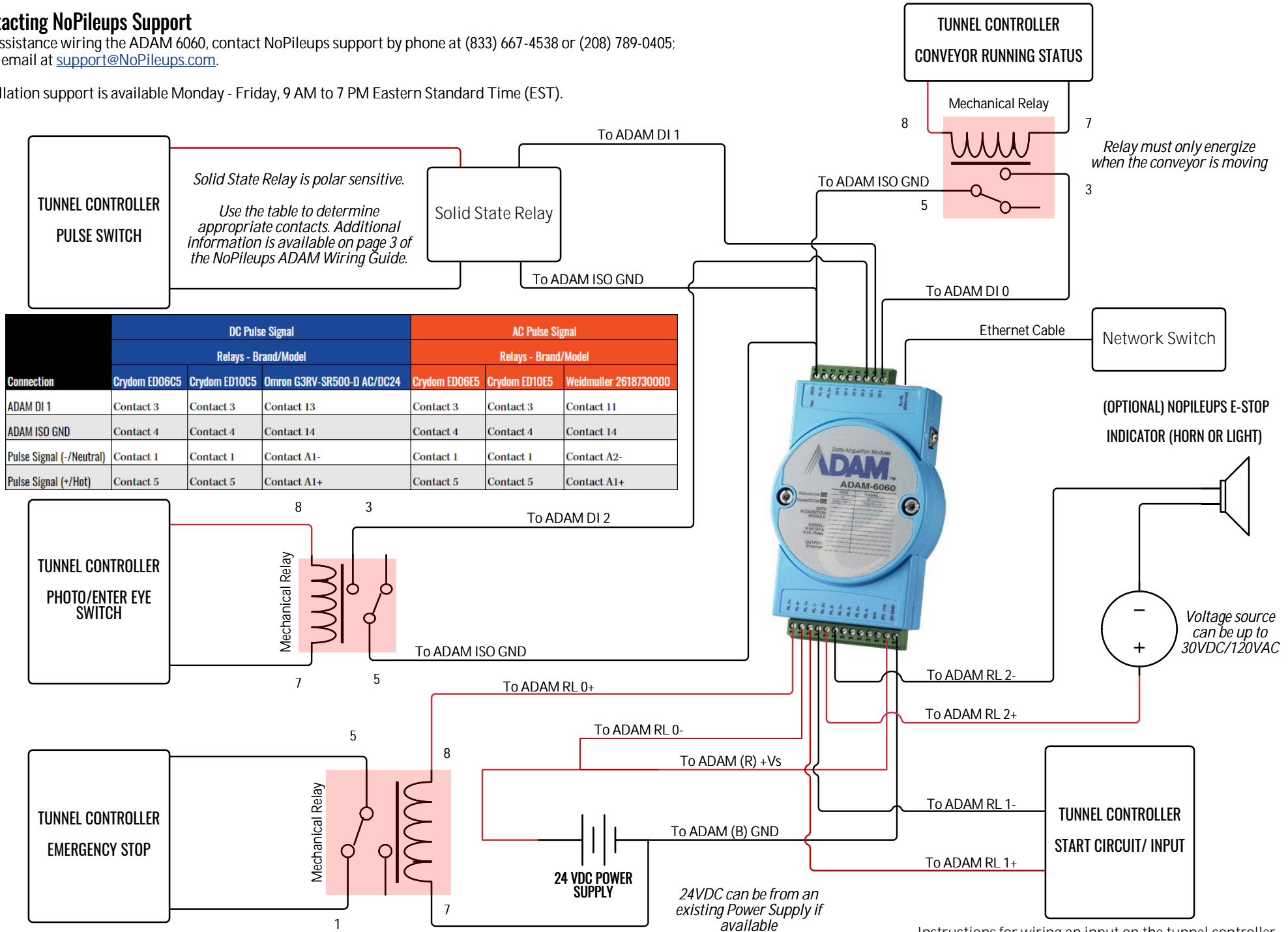


NOPILEUPS ADAM 6060 WIRING DIAGRAM

Contacting NoPileups Support

For assistance wiring the ADAM 6060, contact NoPileups support by phone at (833) 667-4538 or (208) 789-0405; or by email at support@NoPileups.com.

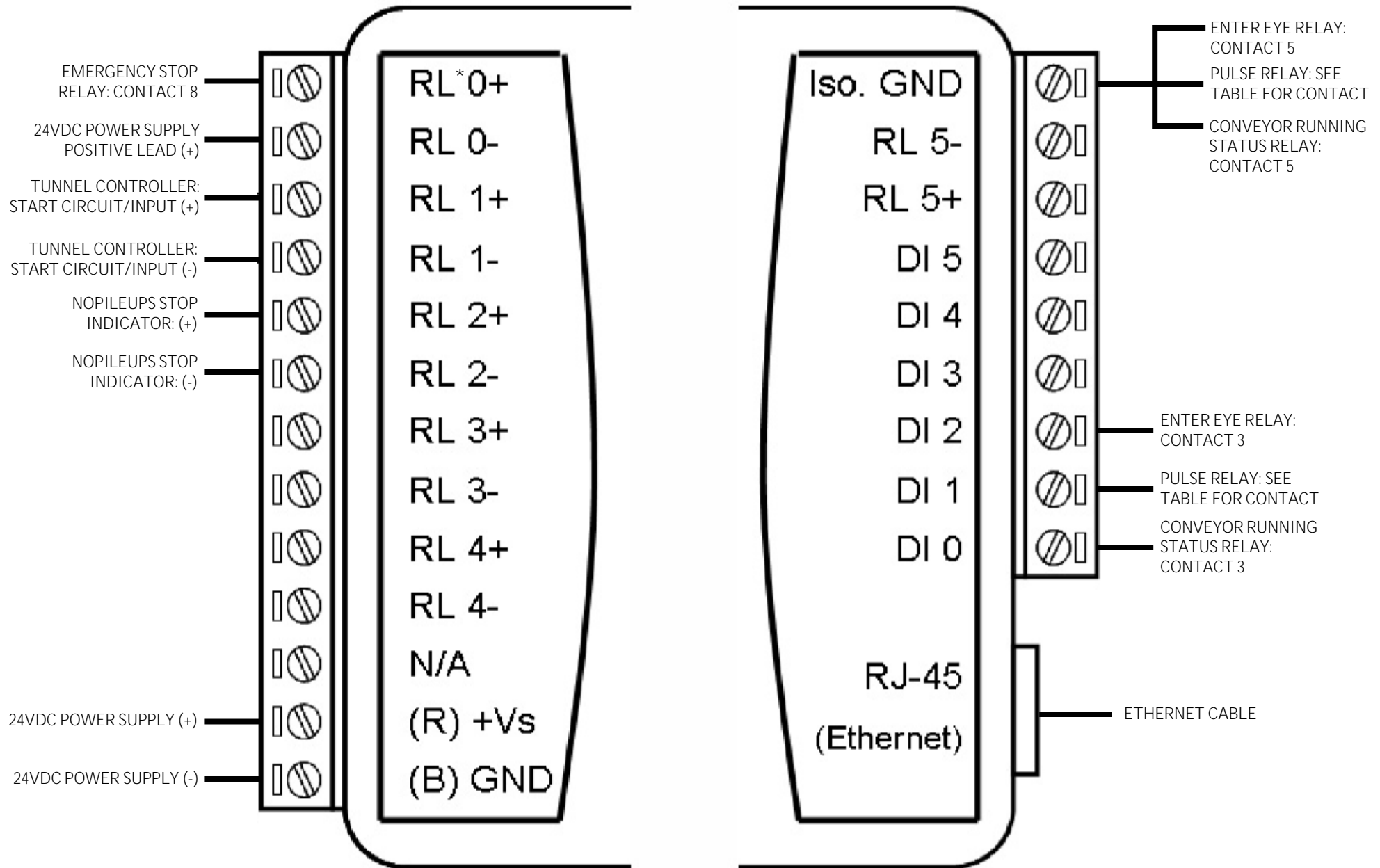
Installation support is available Monday - Friday, 9 AM to 7 PM Eastern Standard Time (EST).



Indicated contacts are specific to the relays and relay bases provided by NoPileups.

Instructions for wiring an input on the tunnel controller are on page 5 of the NoPileups ADAM Wiring Guide.

NOPILEUPS ADAM 6060 WIRING DIAGRAM



*RL outputs are labeled DO in the ADAM Utility software

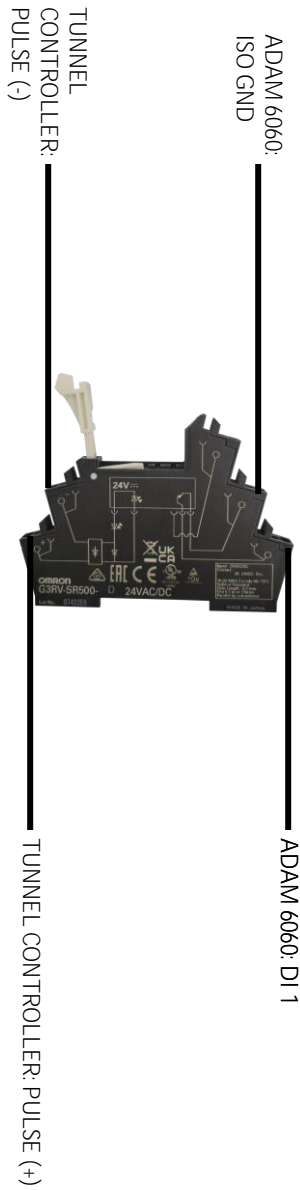
CONVEYOR RUNNING STATUS RELAY



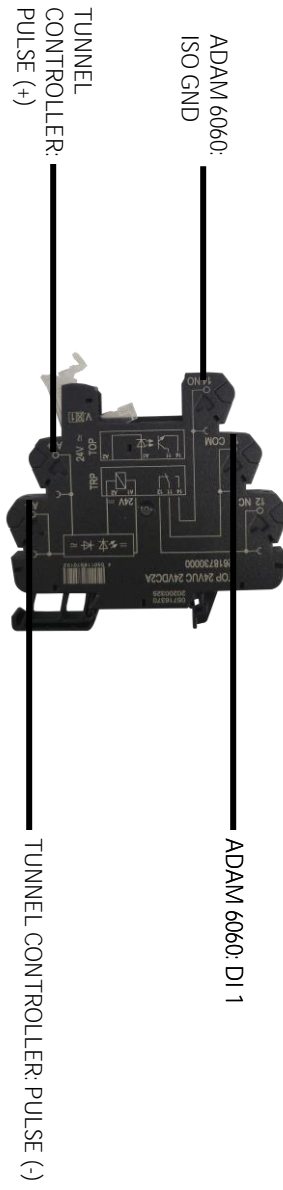
PULSE RELAY CRYDOM ED06C5/ED06E5/ED10C5/ED10E5



PULSE RELAY OMRON G3RV-SR500-D AC



PULSE RELAY WEIDMULLER 2618730000



ENTER EYE RELAY



E-STOP RELAY

