

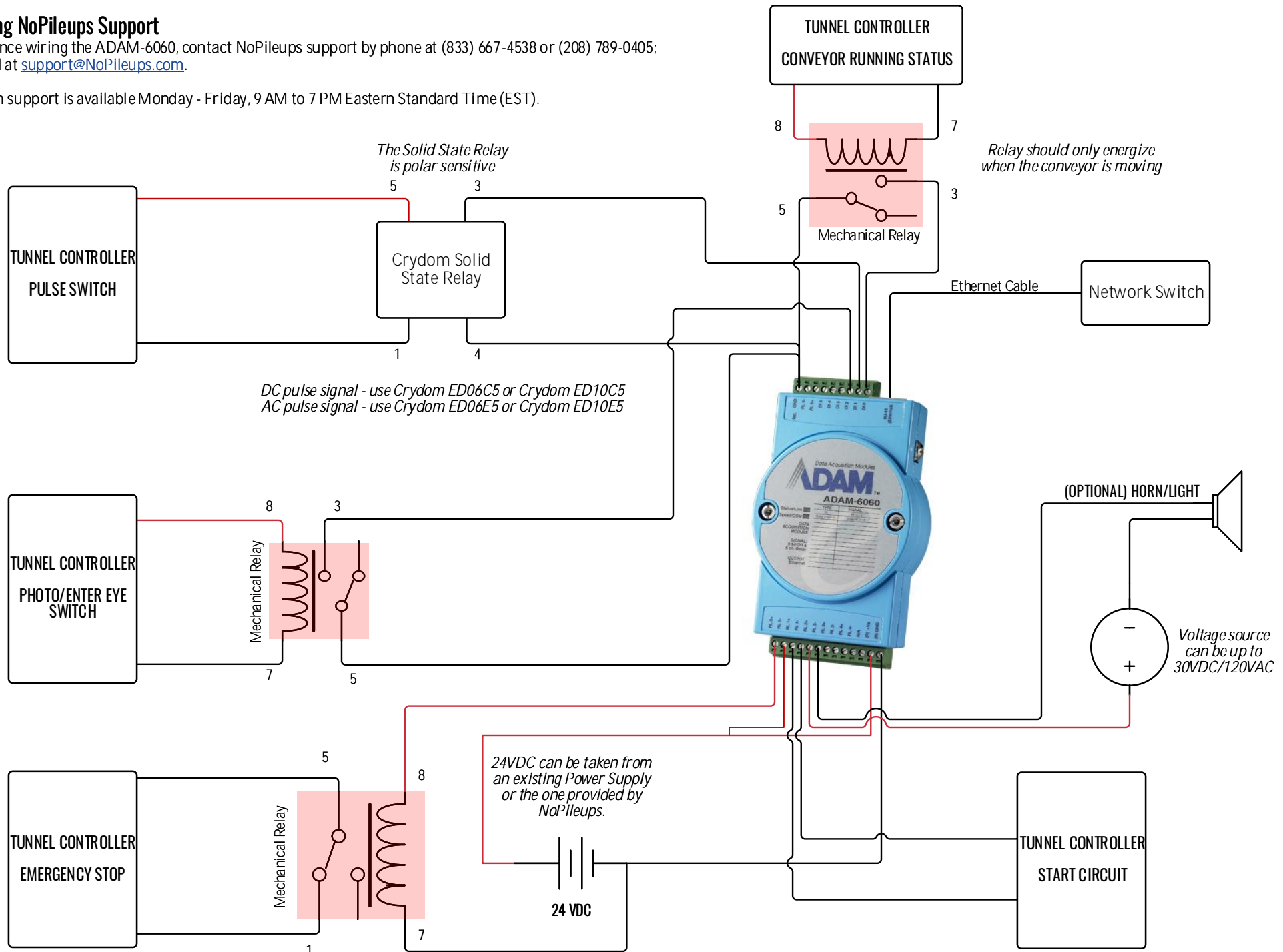
NOPILEUPS ADAM-6060 WIRING DIAGRAM

Version 3.7 | Revised 7/31

Contacting NoPileups Support

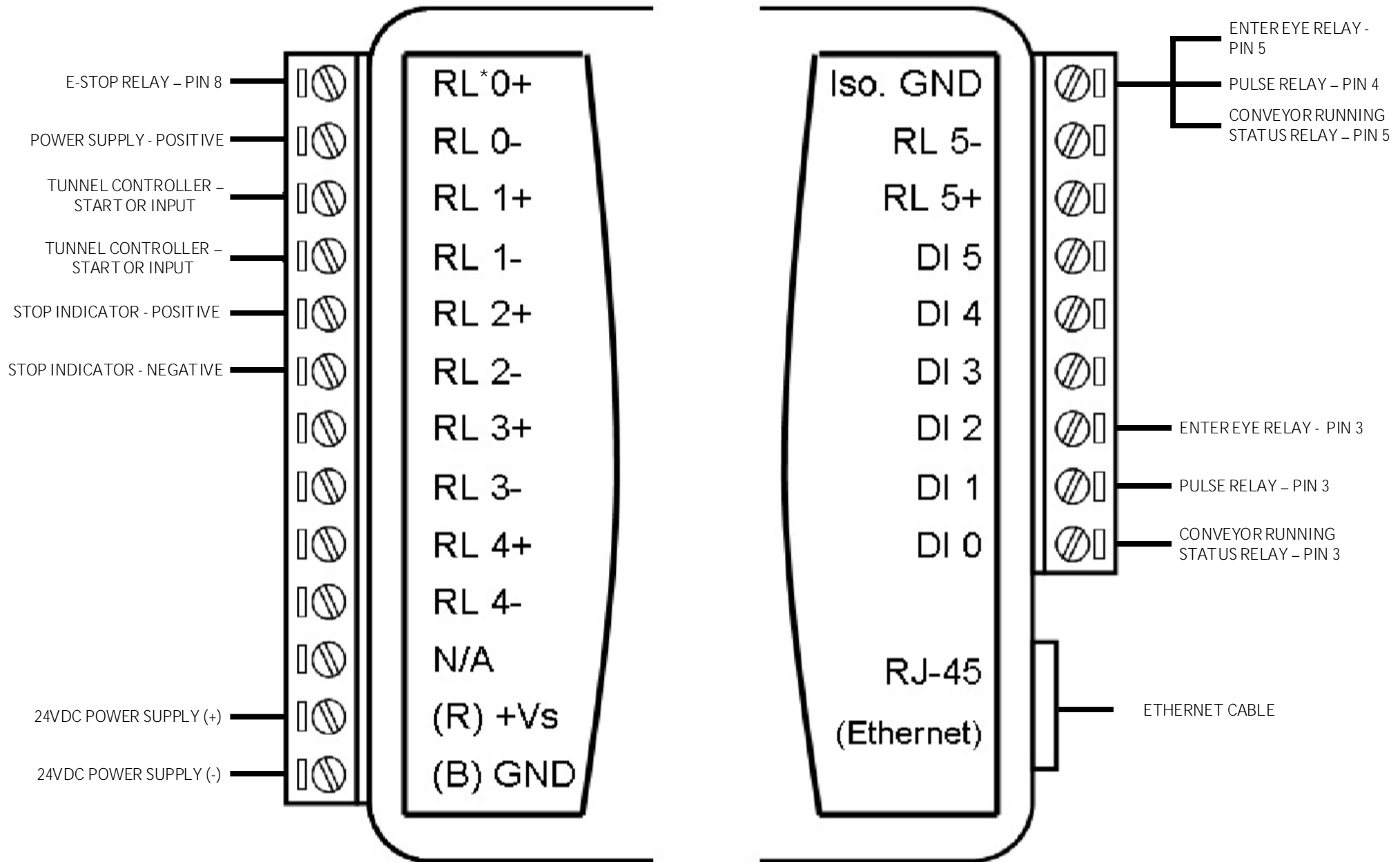
For assistance wiring the ADAM-6060, contact NoPileups support by phone at (833) 667-4538 or (208) 789-0405; or by email at support@NoPileups.com.

Installation support is available Monday - Friday, 9 AM to 7 PM Eastern Standard Time (EST).



Indicated pin locations are specific to the relays and relay bases provided by NoPileups.

The NoPileups Wiring Guide has instructions for wiring an input on the tunnel controller.



*RL outputs are labeled DO in the ADAM Utility software

CONVEYOR RUNNING STATUS RELAY



PULSE RELAY



ENTER EYE RELAY



EMERGENCY STOP RELAY

